

# ES SERIES

**Electronic** speed control  
for AC direct driven  
centrifugal fans



- Installer le variateur de vitesse dans un endroit sec, bien ventilé et dont la température est de maximum 40°C et supérieure à -10°C.

### **SCHEMATICS and CONNECTING PROCEDURE for ES SPEED CONTROLS**

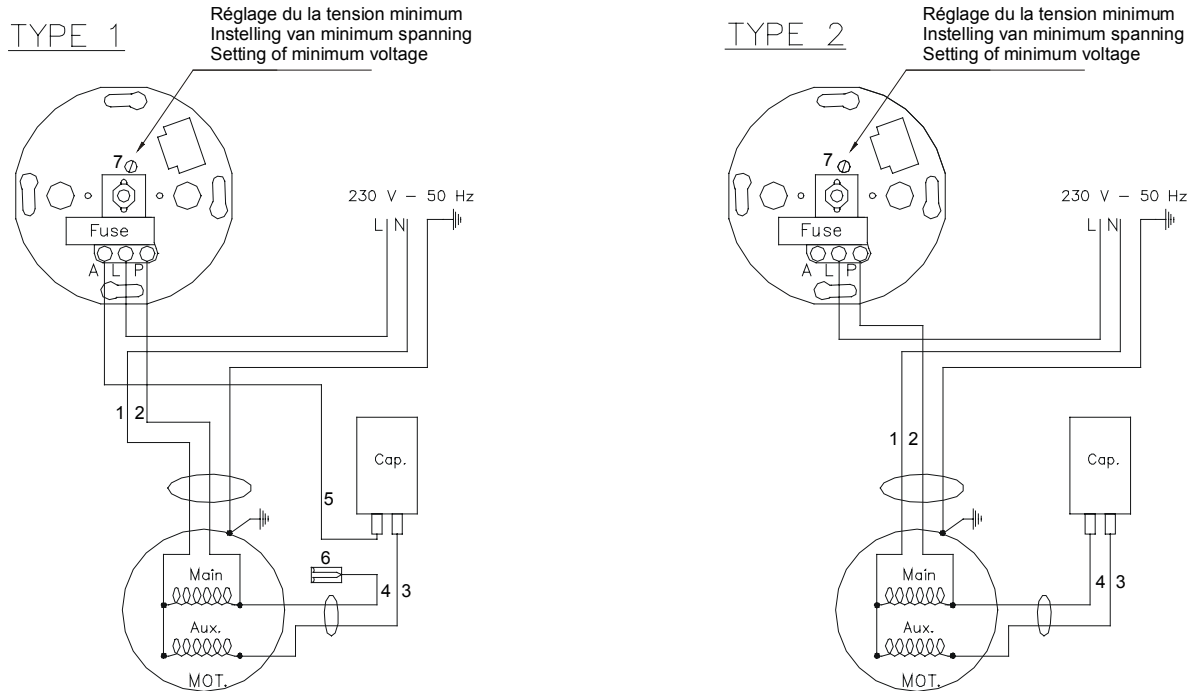
When installing, control that the actual intensity of the fan at 230V does not exceed the maximum intensity indicated on the label of the fan and that of the ES speed control.

- The **type 1** connection must be used to be CE compliant. The **type 2** connection will be used only if the type 1 cannot be applied for practical reasons.
- Install the speed variator in a dry, well ventilated place where ambient temperature is of maximum 40°C and superior to -10°C.
- Consult the schematic relatd to the speed control considered :
- **identification of the wires:**
  - 1) Common:..... If 1 speed motor: brown wire  
If 3 speeds motor: black wire
  - 2) Main winding:..... If 1 speed motor: blue wire  
If 3 speeds motor: white wire
  - 3) Capacitor –> auxiliary:..... brown wire
  - 4) Capacitor –> main winding:... blue wire
  - 5) Wire be added by installer (but already present in AHU's)
  - 6) Unused pods to be insulated.
  - 7) Minimum setup
- Consult the drawing related to the ES considered in the following pages:

IDCode	Name	MAX Amps	page
010001	ES-3	3,0 A	2
010009	ESB-3	3,0 A	2
010002	ESB-5	5,0 A	3
010003	ESB-10	10,0 A	3
010004	ESB-20	20,0 A	3

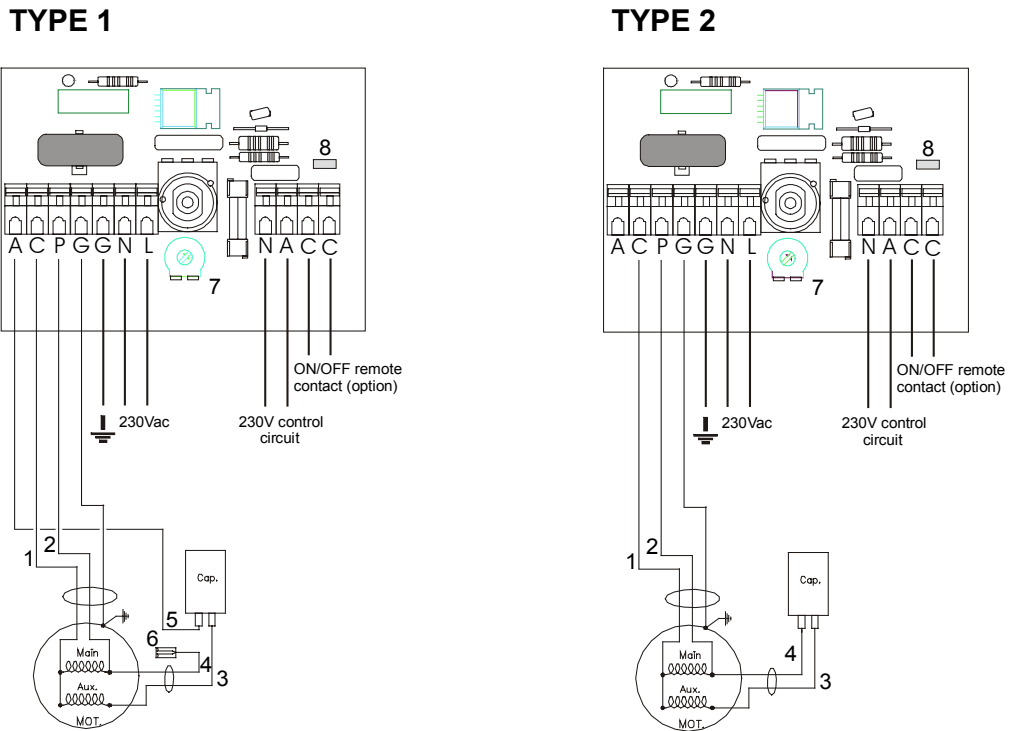
**010001 ES 3 Connecting to standard PLC motors**

Terminal A-L can be also used to supply a control circuit at 230 V. To connect other non standard motors, please contact our technical service.



**010009 ESB 3 Connecting standard PLC motors**

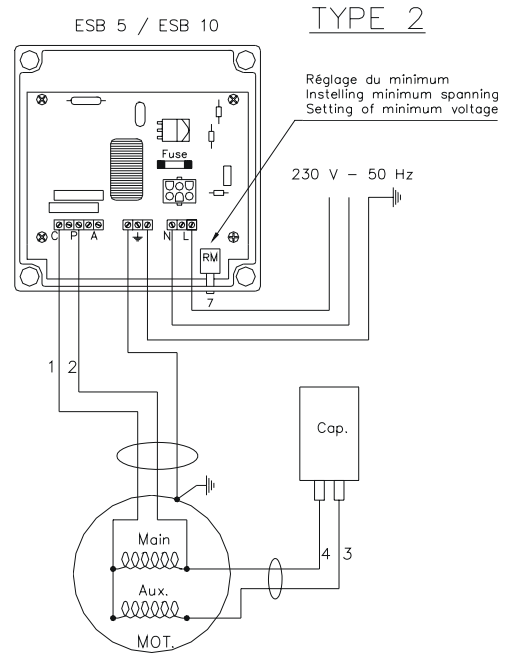
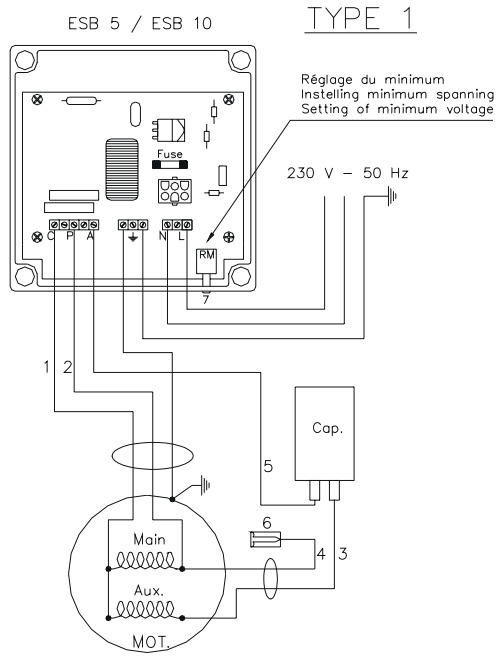
Terminal N-A can be also used to supply a control circuit with 230V. A remote ON/OFF switch can be connected to terminals C-C: remove then jumper '8'. For the connection of the other non standard motors, please contact our technical service.



**010002 ESB 5 Connecting standard PLC motors**

**010003 ESB 10 Connecting standard PLC motors**

Terminal A-L can also be used to supply a control circuit with 230 V. To connect the other non standard motors, please contact our technical service.



**010004 ESB 20 Connecting standard PLC motors**

Terminal A-L can also be used to supply a control circuit with 230 V. To connect the other non standard motors, please contact our technical service.

