

# INFRARED PATIO HEATER

Safety instructions  
and operation manual

**Thermo THI 2000** (LDHR005G)



## Introduction

Your infra red heater warms up not primarily the air in the room, but all objects before the heater. By means of that your infra red heater is effective. And because it doesn't need to heat the ambient air, it is good to be used in the open-air as well.

## Important Safty Instructions

When using electrical appliances, basic safety precautions should always be followed to reduce the risk of fire, electric shock, or injury to persons, etc.

Read through the operating and assembly instructions conscientiously before operating the appliance.

Be sure to keep the manual in a safe place for future reference. If you pass the appliance on, pass on the instructions too.

- Check if the voltage indicated on the appliance corresponds to the local mains voltage before you connect the appliance.
- The power supply to the appliance should correspond to the relevant regulations of the power supply companies and the regional construction regulations.
- Extension cords and multi-sockets may be used only if care is exercised in their use. The marked electrical rating of the extension cord or multi-socket should have adequate current carrying capacity and correspond to the relevant regulations of the power supply companies and the regional construction regulations. Check if the voltage indicated on the appliance corresponds to the marked electrical rating of the extension cord or multi-socket before you connect the appliance.
- The appliance is not located immediately below a wall socket-outlet.
- Never install this appliance close to anything flammable, such as furniture, curtains, etc.
- Never install this appliance in the immediate surroundings of a bath, a

washbasin, a swimming pool or other watering place.

- In order to avoid overheating and fire hazard, do not cover or obstruct the appliance. Do not put any of the following materials on the appliance, such as clothes, blanket, pillow, paper etc. The minimum distance 1M between the appliance and flammable materials must always be maintained.
- The casing and the front cover of the appliance become extremely hot during operation. Pay attention that, no combustible material due to Wind or other environmental influences covers or obstructs the appliance, such as curtains, marquees, flags, plastic foil etc. Do not touch the appliance. Caution! Risk of scald injury!
- Do not let the cord hang over edge of table or counter, or touch hot surfaces.
- If the supply cord is damaged, it must be replaced by the manufacturer or its service agent or a similarly qualified person in order to avoid a hazard.
- Operation of the appliance must be discontinued and remove the mains plug immediately, if improper use produces cracks, breaks or flaws on the aluminium casing, on the front cover surface or on the cord or plug, with the result that there is a risk of electrical shock and/or fire hazard.
- Do not try to repair the appliance by your-self. Please contact with the service agent or a suitably qualified electrician for maintenance.
- Remove the plug from the power outlet and wait until the appliance is sufficiently cooled off before cleaning.
- Do not store any burnable liquids, paint, gas tank etc. in the immediate surroundings of the appliance.
- Do not use the appliance in flammable ambience (such as near by combustible gas or spray cans)! Danger of explosion and fire!
- This appliance is not intended for use by persons (including children) with reduced physical, sensory or mental capabilities, or lack of experience and knowledge, unless they have been given supervision or instruction concerning use of the appliance by a person responsible for their safety.
- Keep out of reach of children. In order to keep children from the dangers of electrical appliances, never leave them unsupervised with the machine. Consequently, when selecting the location for your machine, do so in such a way that children do not have access to the machine. Children being supervised not to play with the appliance.
- Caution! Never leave the appliance unsupervised when in use. Do not use the appliance with a programmer, timer or any other device that switches the appliance on automatically.
- To avoid hazards, do not use the appliance with an external voltage regulator (such as dimmer, speed controller etc.)

- The appliance must only be mounted by an authorised specialist, paying attention to the relevant regulations of the power supply companies and the regional construction regulations.

## Installation

For additional protection the installation of a residual current device (RCD) is advisable.

1. Remove all package material and check the appliance, supply cord and the plug for signs of damage.
2. Pay attention to the mounting place and all mounting material (dowels, screws). Ensure they are suitable and stable enough for mounting and lastingly holding of the appliance.
3. Before mounting, the minimum safe mounting distances and tilt angles shown in the figures must be strictly followed.

The distance between the bottom edge of the appliance and the floor must be at least 2.5 M.

There must be a distance of at least 0.5 M between the appliance and the ceilings, roofs or other covers. If the covers consist of flammable material, such as wooden ceilings, wooden roofs etc., the distance at least 1 M must always be maintained.

There must be a distance of at least 1.5 M at each side between the appliance and walls or the like. See figure 3.

The max. degree to horizontal is 60° and the min. degree is 40°. See figure 4.

The infrared heater could also be swung from left to right. The max. swing degree is 25°

4. Pay attention that, the installation of the appliance must not add excessive wind load.
5. Fix the mounting bracket on the wall first. Ensure that the place to be installed is secure and firm.
6. Assemble the appliance onto the mounting bracket.
7. Adjust the desired angle of radiation and fasten all screws. Check regularly the screws' connection. Mechanical bearing pressure and oscillation due to wind or rain could lead to loose.
8. Plug in the power source. And then observe, whether during the first 10-15 Minutes the appliance works trouble-free.

Figure 1: Mounting bracket (wall bracket) and anchor dowels provided



Figure 2: Connection from wall bracket to the infrared heater with the max. Side angle.



Figure 3: Min. distance to floor, ceiling and wall

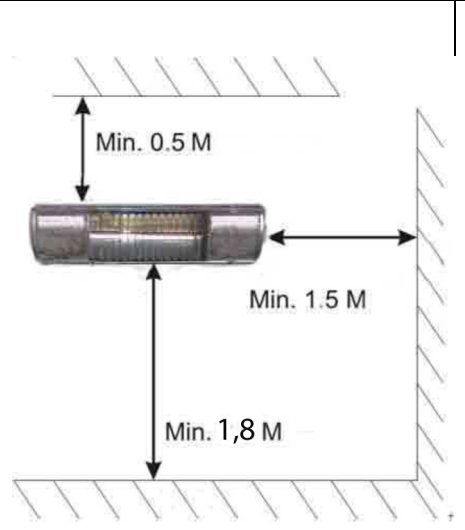
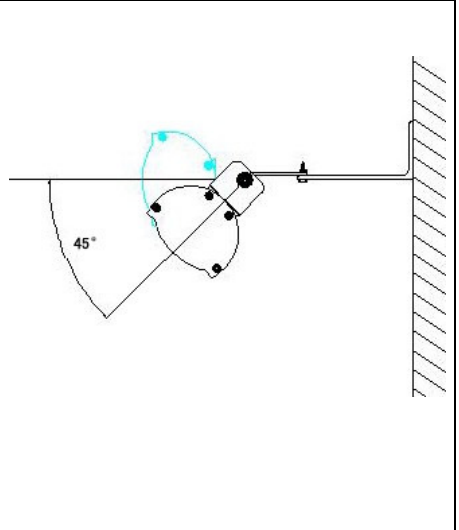


Figure 4: Minimal and maximal tilt angle



## Specifications

<b>El.nr. 54 309 65</b>	<b>□THI 2000</b>
Voltage (V)	□ 220-240
Power consumption (W)	2000W
Dimensions W x H x D (cm)	670 x 100 x 230
Weight (kg)	□ 3,1
IP protection	IP65

## Cleaning and Maintenance

- This appliance is consist of a robust and maintenance-free aluminium casing with a cover made up of toughened glass. No user serviceable parts inside.
- Before cleaning remove the plug from the power outlet and wait until the appliance is sufficiently cooled off.
- Wipe the appliance only with clean und lint-free cloth or a soft brush.  
Caution! Before the next use must the appliance be dry.
- Never use abrasive cleaners, scrubbing brushes and chemical cleaners for cleaning!
- Never use flammable cleaners such as benzine or spiritus.
- To protect against electrical shock and danger of life, do not immerse cord, plug, or any part of the appliance in water or other liquid.
- Intensive use of the appliance would lead to lamp precocious aging. For heating element replacement please contact the manufacturer or its service agent or a similarly qualified person.

## Disposal



In accordance with the European Directive 2002/96/EG concerning used electrical and electronic appliances (waste electrical and electronic equipment – WEEE), please return any electrical equipment that you will no longer use to the collection points provided for their disposal.

This symbol indicates that the appliance cannot be treated as normal domestic trash, but must be handed in at a collection point for recycling electric and electronic appliances.

Information concerning where the equipment can be disposed of can be obtained from your local authority.

## customer service

Repairs must be carried out by authorised specialists, thus ensuring electrical safety. Please contact with the service agent or a suitably qualified electrician. Improper repairs could lead to danger to user.

This warranty does not cover damage of failure which results from alteration, accident, misuse, abuse, neglect, commercial use or improper maintenance.

In line with our policy of continuous product development we reserve the right to change the product and documentation specifications without notice.